

Agitator Conversion Kit

3A1931A
ENG

For converting agitator 1.5.5B to 24K360. For professional use only.

Part 24K408



Important Safety Instructions

Read all warnings and instructions in this manual and the Gusmer-Decker RC system manuals. Save all instructions.

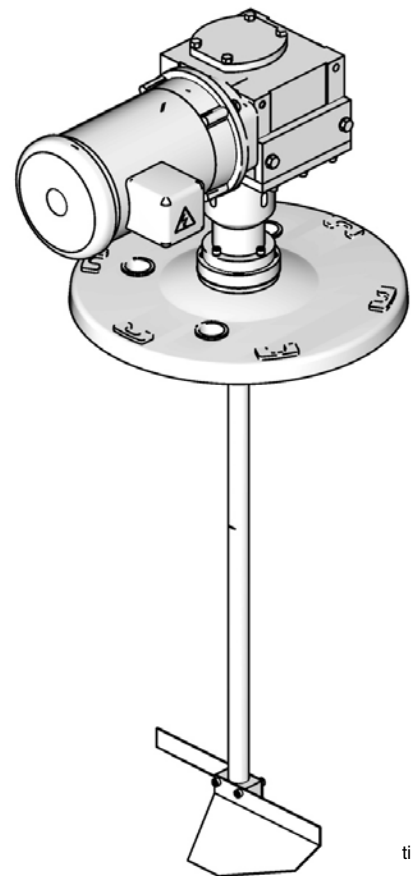
Contents

Related Manuals	1
Installation	2
Remove Agitator 1.5.5B	2
Install Kit 24K408 Components	3
Parts	5
Technical Data	5
Graco Standard Warranty	6
Graco Information	6

Related Manuals

Manuals are available at www.graco.com. Related manuals listed are in English.

Gusmer-Decker RC Manuals	
Part	Description
312750	Gusmer-Decker RC Operation
312751	Gusmer-Decker RC Repair and Parts
313264	Gusmer-Decker RC Electrical Diagrams

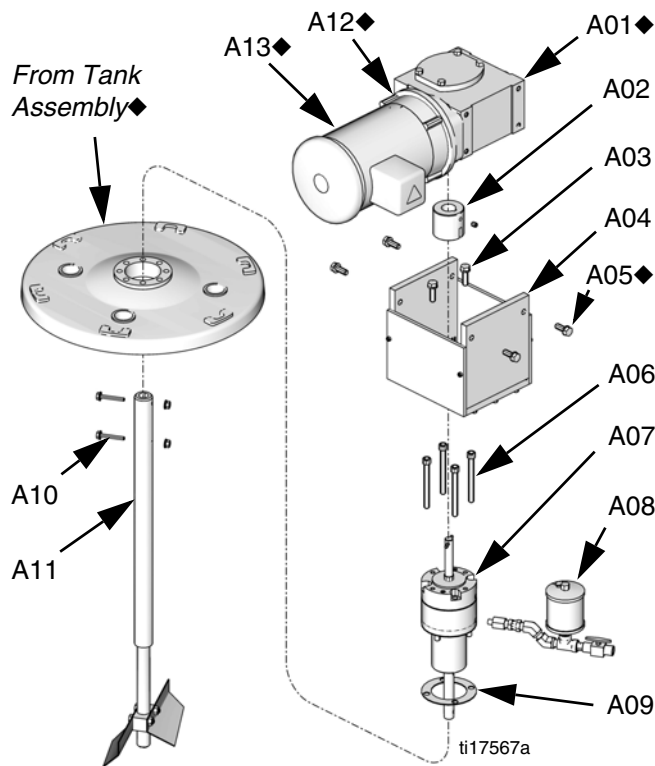


ti17565a

Kit is shown assembled with agitator motor, gear reducer, and tank lid for reference only

Installation

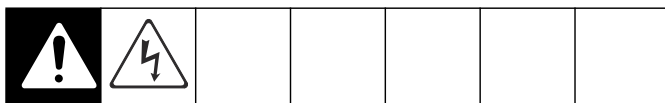
Remove Agitator 1.5.5B



◆ Items are needed during 24K408 installation. All other items can be discarded.

FIG. 1

1. Perform the Shutdown and Pressure Relief Procedures in the Gusmer-Decker RC system manual.



2. Disconnect incoming power from agitator motor.
3. Disconnect all air lines from lid.

! To prevent injury, use proper lifting equipment to raise the tank lid and agitator assembly.

NOTE: The tank lid and agitator assembly weighs approximately 100 lb (45 kg).

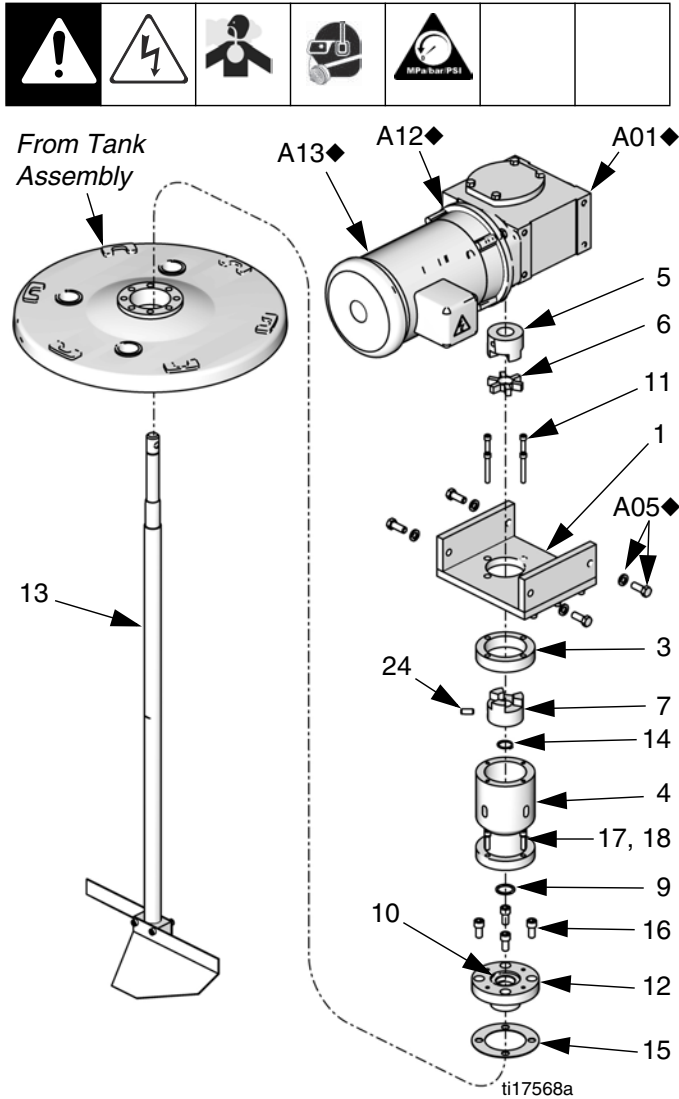
4. Loosen tank lid clamps then remove tank lid and agitator assembly from tank.
5. Remove two hex head cap screws (A10) then remove agitator shaft (A11) from agitator housing (A07).
6. Remove lube cup and fittings assembly (A08) from the agitator housing (A07).

NOTE: Before performing the following step, use a small piece of masking tape to note the location of the motor relative to the tank lid. This will ensure the motor (A13) is re-installed in the proper orientation.

7. Remove four screws (A12) then remove agitator motor (A13) from gear reducer (A01).
8. Remove four screws and washers (A05) then remove gear reducer (A01) from base (A04).
9. Loosen coupling set screw then remove coupling (A02) from gear reducer.
10. Remove two hex head cap screws (A03) then remove base (A04) from agitator housing (A07).
11. Remove four socket head cap screws (A06) then remove agitator housing (A07) and seal (A09) from tank lid.

NOTE: Prior to beginning the **Install Kit 24K408 Components** procedure, discard or set aside all items except those noted in FIG. 1. This will prevent confusing parts from 1.5.5B with parts from 24K408.

Install Kit 24K408 Components



◆ Items are from agitator assembly 1.5.5B.

FIG. 2

4. Insert agitator shaft (13) through housings (4, 12) then use snap ring pliers to install snap ring (14) onto groove in shaft (13).
5. Rotate agitator shaft (13) so that flat spot for set screw is viewable through the opening in the housing (4).
6. Apply sealant (25) to set screw (24) then insert set screw into coupling (7).
7. Install coupling (7) onto agitator shaft (13).
8. Verify the set screw in the coupling (7) is located over the flat spot on the agitator shaft then temporarily tighten the set screw.

NOTE: In the following step, be sure to install base (1) so that motor can be installed in the orientation noted when it was removed. The opening in the base is off-center so the gear reducer will only fit in the base one way.

9. Place spacer (3) onto housing (4) then use four screws (11) to install base (1) onto spacer and housing assembly. Torque screws (11) to 8-12 ft-lb (11-16 N•m).

NOTE: In the following step, the face of the coupling (5) should be flush with the end of the gear reducer shaft (A01).

10. Install coupling (5) and alignment disk (6) onto gear reducer shaft (A01). Apply sealant (25) to set screw in coupling (5) then tighten set screw.
11. While rotating the agitator shaft (13) back and forth, insert gear reducer (A01) into base (1) then install screws and washers (A05). Torque screws (A05) to 30-45 ft-lb (41-61 N•m).

1. Perform the **Remove Agitator 1.5.5B** procedure on page 2.
2. Use four screws (16) to install housing (12) and gasket (15) onto tank lid. Torque screws (16) to 30-45 ft-lb (41-61 N•m).
3. With spacer (9) installed over seal (10), use four screws (18) and washers (17) to install housing (4) onto other housing (12). Torque screws (18) to 75-80 in-lb (8.5-9.0 N•m).

NOTE: In the following step, the agitator shaft must be rotated by turning the gear reducer input sleeve shaft (A01a). Attempting to rotate the agitator shaft by rotating the agitator shaft itself will not work. This is due to the design of the gear reducer. See FIG. 3.

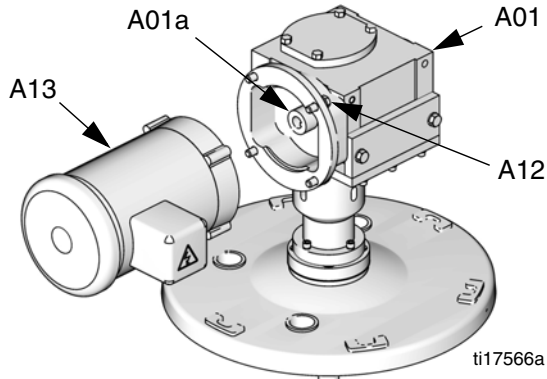


FIG. 3: Gear Reducer Input Sleeve Shaft

12. Rotate the gear reducer input sleeve shaft (A01a) to turn the agitator shaft so that the set screw (24) in the coupling (7) is visible through the opening in the housing (4).
13. Loosen the set screw (24) in the coupling (7), then slide the coupling (7) against the other coupling (5) and tighten the set screw (24).

NOTE: The previous step ensures the two couplings are fully engaged.

14. Use screws and washers (A12) to install agitator motor (A13) onto gear reducer assembly (A01).

To prevent injury, use proper lifting equipment to raise the tank lid and agitator assembly.						

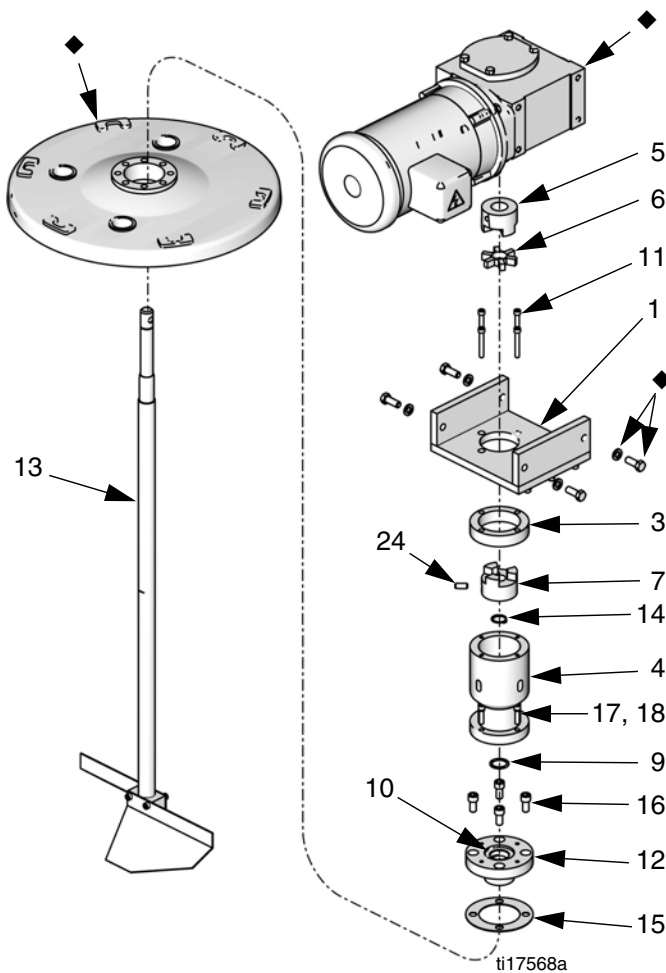
NOTE: The tank lid and agitator assembly weighs approximately 100 lb (45 kg).

15. Install agitator and tank lid assembly onto tank and tighten the lid clamps.

--	--	--	--	--	--	--

16. Connect incoming power to the agitator motor.
17. Connect air lines to tank lid.

Parts



- ◆ Items are not included with kit 24K408.
Shown for reference only.

Ref	Part	Description	Qty
1	24K359	BASE, agitator plate assy	1
3	15V746	SPACER, agitator motor	1
4	15Y358	HOUSING, upper, agitator, ASME, electric	1
5	121963	COUPLER, agitator motor, 1 in.	1
6	122760	COUPLING, alignment, disk, TPE	1
7	122761	HOSE, alignment, hub	1
8	122774	BEARING, ball, 3/4 bore x 1-3/4 dia. x 1/2	2
9	15Y360	SPACER, seal, shaft, ASME, agitator	1
10	122772	SEAL, 0.875 x 1.125, PTFE	1
11	---	SCREW, cap, sch	4
12	16K284	HOUSING, agitator to lid	1
13	24K358	BLADE, agitator assy	1
14	122776	RING, ret, ext, 0.750, ms	1
15	16K285	GASKET, agitator to lid	1
16	---	SCREW, cap, sch	4
17	---	WASHER, lock, spring (hi-collar)	4
18	---	SCREW, cap, sch	4
24	---	SCREW, socket head set screw, 5/16-18 x 0.75	1
25	113500	ADHESIVE, anaerobic, 0.017 fl oz, 0.5 ml	1

--- Not for sale.

Technical Data

See Gusmer-Decker RC system manual for technical data.

Graco Standard Warranty

Graco warrants all equipment referenced in this document which is manufactured by Graco and bearing its name to be free from defects in material and workmanship on the date of sale to the original purchaser for use. With the exception of any special, extended, or limited warranty published by Graco, Graco will, for a period of twelve months from the date of sale, repair or replace any part of the equipment determined by Graco to be defective. This warranty applies only when the equipment is installed, operated and maintained in accordance with Graco's written recommendations.

This warranty does not cover, and Graco shall not be liable for general wear and tear, or any malfunction, damage or wear caused by faulty installation, misapplication, abrasion, corrosion, inadequate or improper maintenance, negligence, accident, tampering, or substitution of non-Graco component parts. Nor shall Graco be liable for malfunction, damage or wear caused by the incompatibility of Graco equipment with structures, accessories, equipment or materials not supplied by Graco, or the improper design, manufacture, installation, operation or maintenance of structures, accessories, equipment or materials not supplied by Graco.

This warranty is conditioned upon the prepaid return of the equipment claimed to be defective to an authorized Graco distributor for verification of the claimed defect. If the claimed defect is verified, Graco will repair or replace free of charge any defective parts. The equipment will be returned to the original purchaser transportation prepaid. If inspection of the equipment does not disclose any defect in material or workmanship, repairs will be made at a reasonable charge, which charges may include the costs of parts, labor, and transportation.

THIS WARRANTY IS EXCLUSIVE, AND IS IN LIEU OF ANY OTHER WARRANTIES, EXPRESS OR IMPLIED, INCLUDING BUT NOT LIMITED TO WARRANTY OF MERCHANTABILITY OR WARRANTY OF FITNESS FOR A PARTICULAR PURPOSE.

Graco's sole obligation and buyer's sole remedy for any breach of warranty shall be as set forth above. The buyer agrees that no other remedy (including, but not limited to, incidental or consequential damages for lost profits, lost sales, injury to person or property, or any other incidental or consequential loss) shall be available. Any action for breach of warranty must be brought within two (2) years of the date of sale.

GRACO MAKES NO WARRANTY, AND DISCLAIMS ALL IMPLIED WARRANTIES OF MERCHANTABILITY AND FITNESS FOR A PARTICULAR PURPOSE, IN CONNECTION WITH ACCESSORIES, EQUIPMENT, MATERIALS OR COMPONENTS SOLD BUT NOT MANUFACTURED BY GRACO. These items sold, but not manufactured by Graco (such as electric motors, switches, hose, etc.), are subject to the warranty, if any, of their manufacturer. Graco will provide purchaser with reasonable assistance in making any claim for breach of these warranties.

In no event will Graco be liable for indirect, incidental, special or consequential damages resulting from Graco supplying equipment hereunder, or the furnishing, performance, or use of any products or other goods sold hereto, whether due to a breach of contract, breach of warranty, the negligence of Graco, or otherwise.

FOR GRACO CANADA CUSTOMERS

The Parties acknowledge that they have required that the present document, as well as all documents, notices and legal proceedings entered into, given or instituted pursuant hereto or relating directly or indirectly hereto, be drawn up in English. Les parties reconnaissent avoir convenu que la rédaction du présente document sera en Anglais, ainsi que tous documents, avis et procédures judiciaires exécutés, donnés ou intentés, à la suite de ou en rapport, directement ou indirectement, avec les procédures concernées.

Graco Information

For the latest information about Graco products, visit www.graco.com.

TO PLACE AN ORDER, contact your Graco distributor or call to identify the nearest distributor.

Toll Free: 1-800-746-1334 or Fax: 330-966-3006

*All written and visual data contained in this document reflects the latest product information available at the time of publication.
Graco reserves the right to make changes at any time without notice.*

Original instructions. This manual contains English. MM 3A1931

Graco Headquarters: Minneapolis

International Offices: Belgium, China, Japan, Korea

GRACO INC. P.O. BOX 1441 MINNEAPOLIS, MN 55440-1441

Copyright 2011, Graco Inc. is registered to ISO 9001

www.graco.com